

RISE SERIES

LED INDOOR HIGH PERFORMANCE MR-16 THERMOPLASTIC REMOTE HEAD



Project:	
Type:	
Catalog #:	



ILLUMINATION

- Long lasting, efficient ultra bright white LED lamp heads.
- Adjustable lamp heads provides optimal center-to-center spacing.
- 3.3 watt (3 LEDs x 1.1 watt) per head.
- Optional high lumen heads are 5 watt (7 LEDs x 0.7 watt per head) and provide increased center to center spacing.

ELECTRICAL

- Powered from low voltage power source with low voltage wiring (not provided).

MOUNTING

- Universal mounting adapter included. Mounts to single-gang switch box.
- Distance of maximum run is determined by system voltage, wire gauge and total maximum wattage on the run.
- Suitable for wall or ceiling mount.

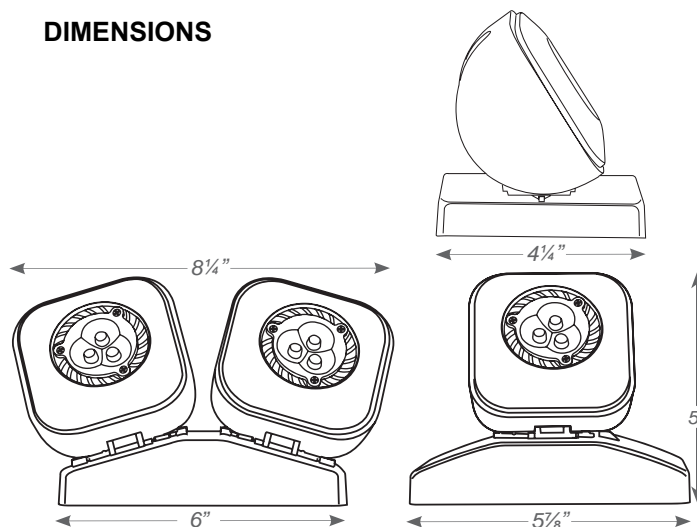
HOUSING

- Injection-molded, engineering grade, 5VA flame retardant, high-impact resistant, thermoplastic in white or black finish.

WARRANTY / LISTING

- Five year warranty.
- Meets UL924, NFPA 101 Life Safety Code, NEC, OSHA, Local and State Codes.

DIMENSIONS



*Contact FME for fixture compatibility. Reference individual unit equipment specification sheets for remote load capacity availability.

ORDERING INFORMATION

MODEL	No. of HEADS		COLOR		VOLTAGE	WATTAGE ¹	
RIS	A	Single Head	(blank)	White	MV	(blank)	3.3 Watts
	B	Double Head	BK	Black		5	5.0 Watts

¹Wattage rating stated per head.